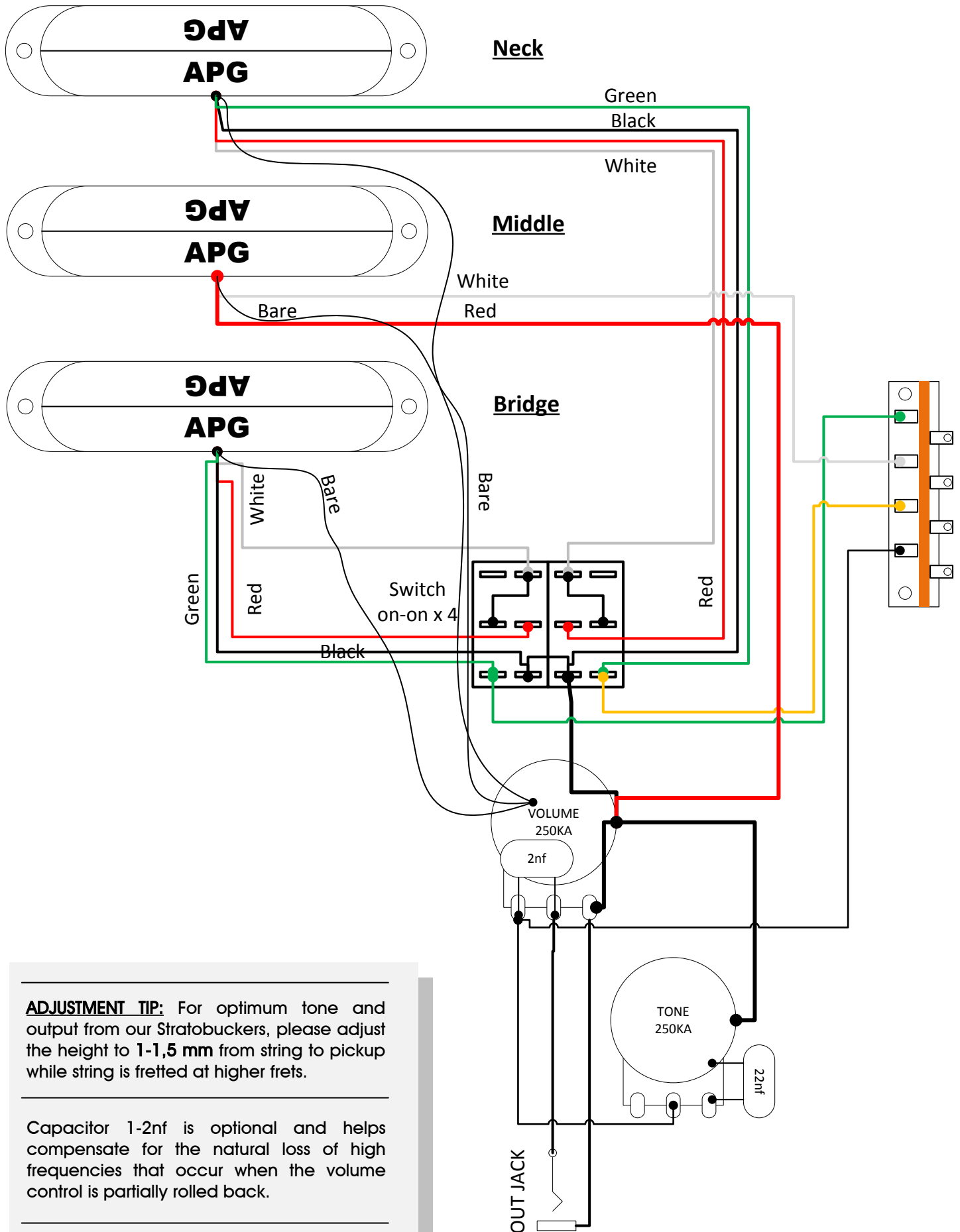


# STRAToBUCKER

## Stratocaster Wire Diagram

VERSION – „2xDual Tone”



**ADJUSTMENT TIP:** For optimum tone and output from our Stratobuckers, please adjust the height to 1-1,5 mm from string to pickup while string is fretted at higher frets.

Capacitor 1-2nf is optional and helps compensate for the natural loss of high frequencies that occur when the volume control is partially rolled back.